

AS SEEN IN P.O.P DESIGN

# P.O.P DESIGN

AN OFFICIAL PUBLICATION OF THE IN-STORE MARKETING INSTITUTE

## FANNING 2000

Lockable Flip Chart Holder for P.O.P and Merchanding Providers

**Patent:**

6,666,609

**Issued:**

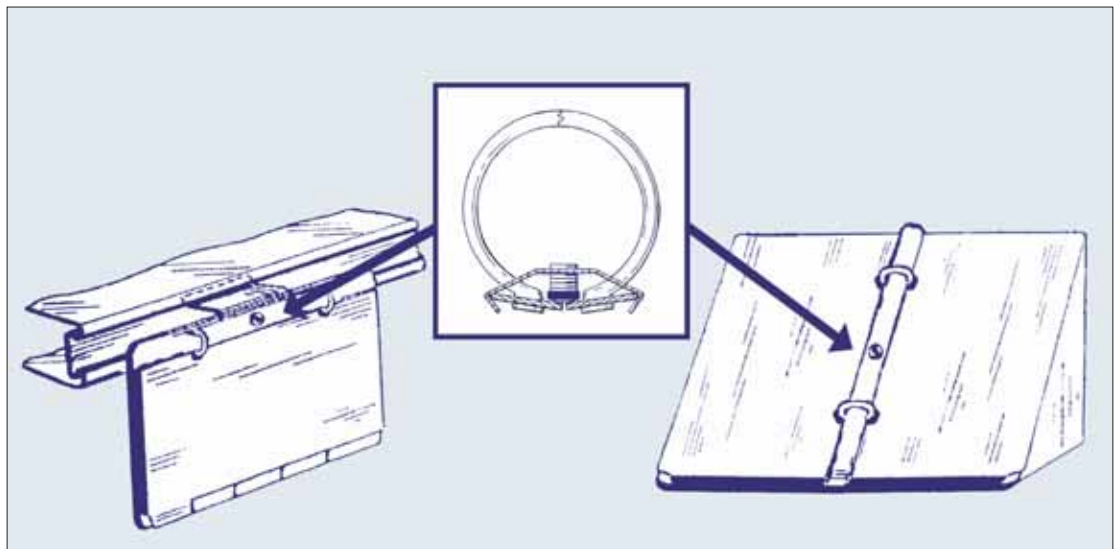
Dec. 23. 2003

**Inventor:**

Timothy S. Fanning,  
Park Ridge, IL.

**Assignee:**

Timothy S. Fanning,  
Park Ridge, IL.;  
Timothy Engling,  
Glenview, IL.



An updatable and lockable flip chart holder that can clip into the rail strip or channel of a shelf or fasten to a display at a retail store. The flip chart holder allows manufacturers or promoters of products that are sold at retail to create consumer, educational or promotional flip charts that can easily and economically be updated by opening rings. The lockable flip chart has a panel and

attached to the panel is a ring system with each ring having two ring halves and hinged leaves connected to each other and attached to each ring half respectively. A locking mechanism on the ring system presses against the leaves to prevent the ring halves from opening. Locking the rings also provides security so consumers cannot take the pages out of the flip chart holder.

**For more information on licensing the FANNING 2000  
Lockable Flip Chart Holder call 312-664-1200**